

auto electrical parts

Technical Information Sheet

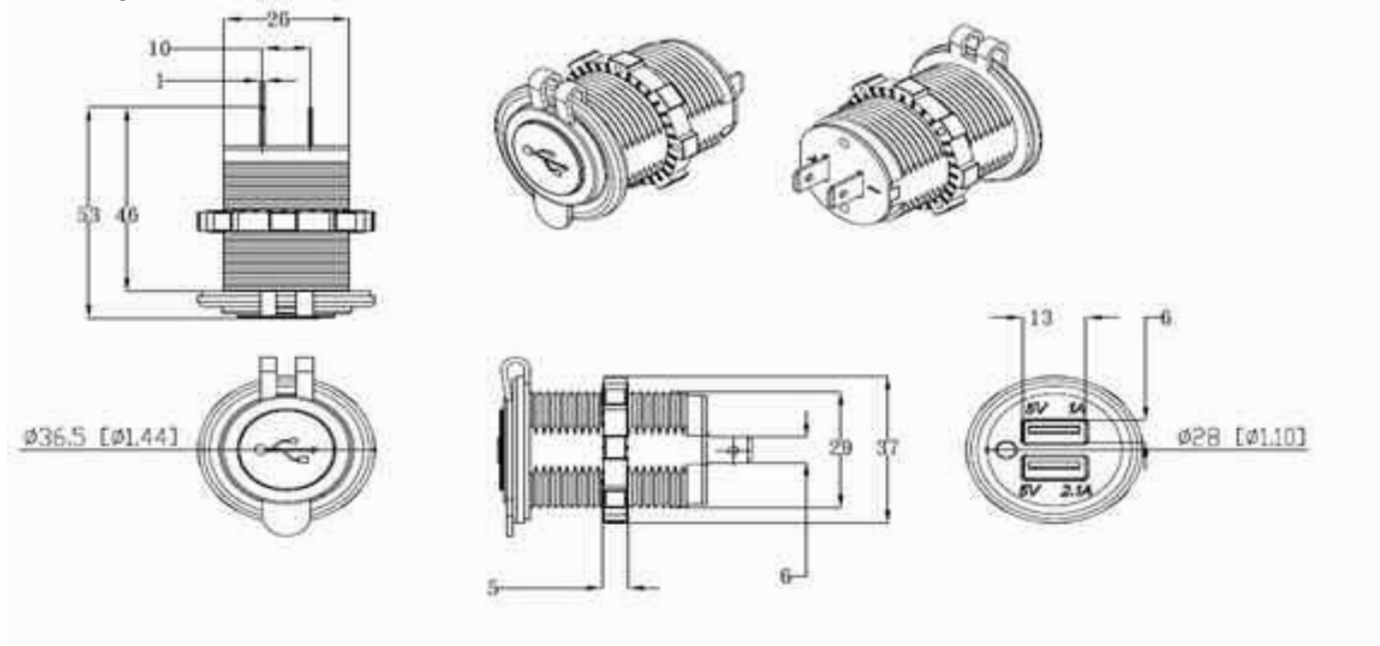
Part No. 0-601-08

USB Port Socket

Durite's USB Port Socket. Black. 12/24 Volt. Output 5V, 1 x 2.1A & 1 x 1.0A = 3.1A DC Total. Supplied with standard nut.



Technical Drawing (not to scale)



Specification

| | |
|--------------|------------------------------------|
| Voltage | 12/24 Volts DC |
| Output | 5V - 3.1A DC (1 x 2.1A & 1 x 1.0A) |
| Material: | ABS Plastic |
| Colour | Black |
| Certificate | n/a |
| Mating Cycle | 3000 Approx. |
| Dimensions | Please see above |

The information contained in this document is correct to the best of our knowledge at the time of printing. However, specifications may change at any time without notice.